

DOOR SWITCH

DS 013



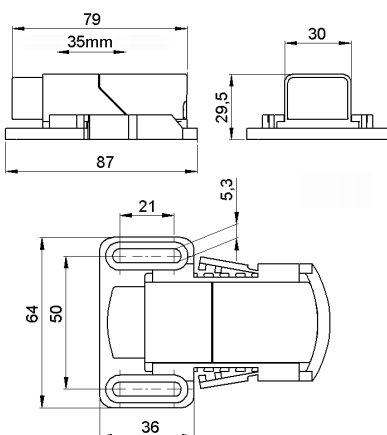
- > Tool-free adjustable switch positioning
- > Strain relief, suitable for range of cable diameters
- > High switching capacity
- > Suitable for lamp LED 025 and other devices

The door contact switch monitors the position of control cabinet doors and is available in three versions. Depending on requirements, it can, for example, switch on a light (NC) when the cabinet door is opened or activate a vent (NO) when the door is closed. The version with changeover contact (CO) enables use as an NC and/or NO contact. Due to its large mechanical adjustment range, the DS 013 door contact switch is versatile. The switch housing can be adjusted by 35 mm, and the slotted hole in the screw flange provides an additional 21 mm of clearance. The switching stroke of the switch itself is a further 8 mm.

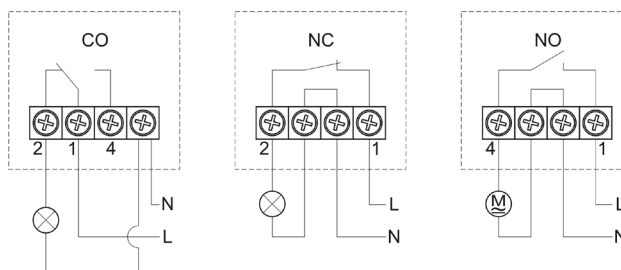


TECHNICAL DATA

Max. switching capacity	AC 250V; 8 (1,5) A
Service life	VDE: > 10,000 cycles UL: > 6,000 cycles
Connection	4-pole clamp, clamping torque 0.5 Nm max.
Housing	plastic according to UL 94V-0, black
Mounting	M5 screws (not included)
Mounting position	variable
Operating / Storage temperature	-4 to +185 °F (-20 to +85 °C)
Operating / Storage humidity	< 90 % RH (non-condensing)
Dimensions	3.4 x 2.5 x 1.2" (87 x 64 x 30 mm)
Weight	approx. 1.8 oz. (50 g)
Protection type	IP20
Approvals	VDE, EAC; UL intended



Connection diagrams



Part No.	Model	Suitable wire
01350.0-00	change-over (CO)	Round cable, stranded wire (with wire end ferrule) AWG 18 to 17 (0.75 mm ² to 1 mm ²)
01351.0-00	normally closed (NC)	Round cable, stranded wire (with wire end ferrule) AWG 18 to 16 (0.75 mm ² to 1.5 mm ²)
01352.0-00	normally open (NO)	Round cable, stranded wire (with wire end ferrule) AWG 18 to 16 (0.75 mm ² to 1.5 mm ²)